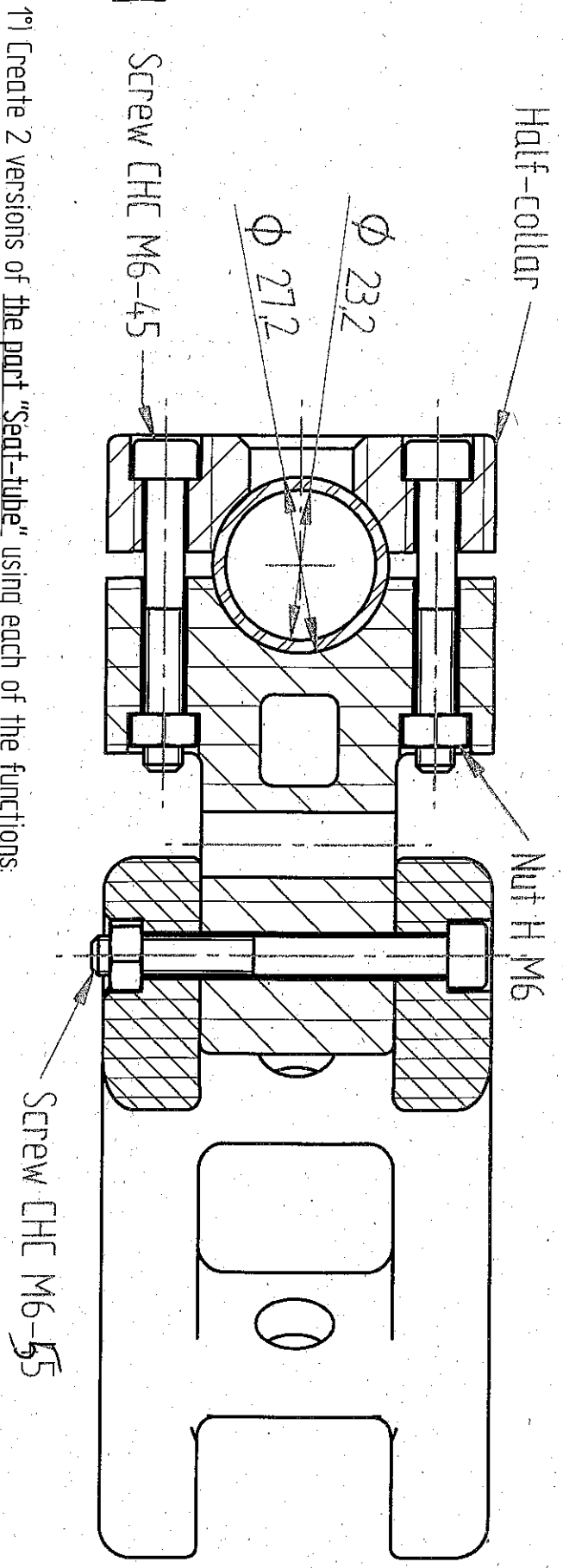
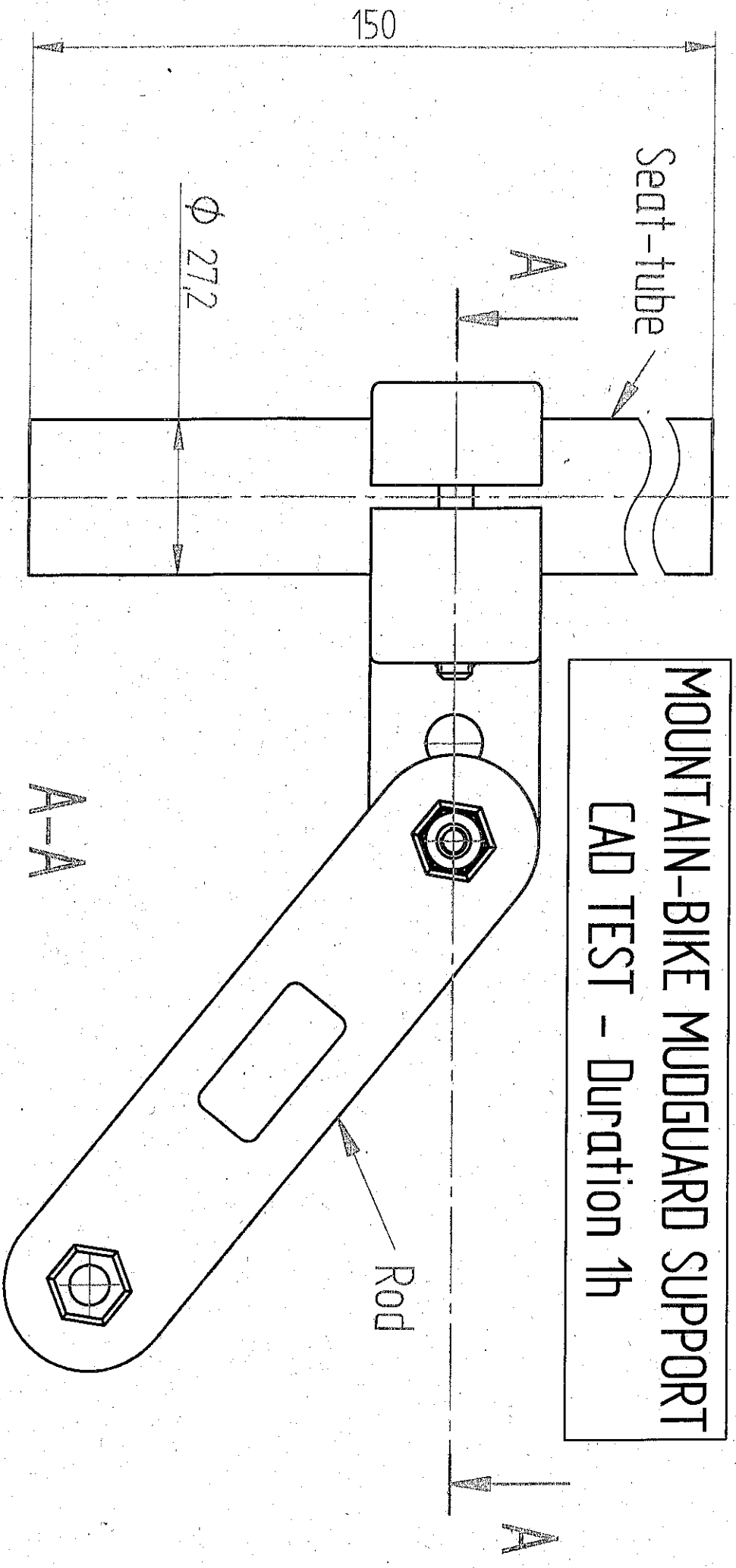


# MOUNTAIN-BIKE MUDDGUARD SUPPORT CAD TEST - Duration 1h



1°) Create 2 versions of the part "Seat-tube" using each of the functions:

- Function "Extrude"
- Function "Revolve"

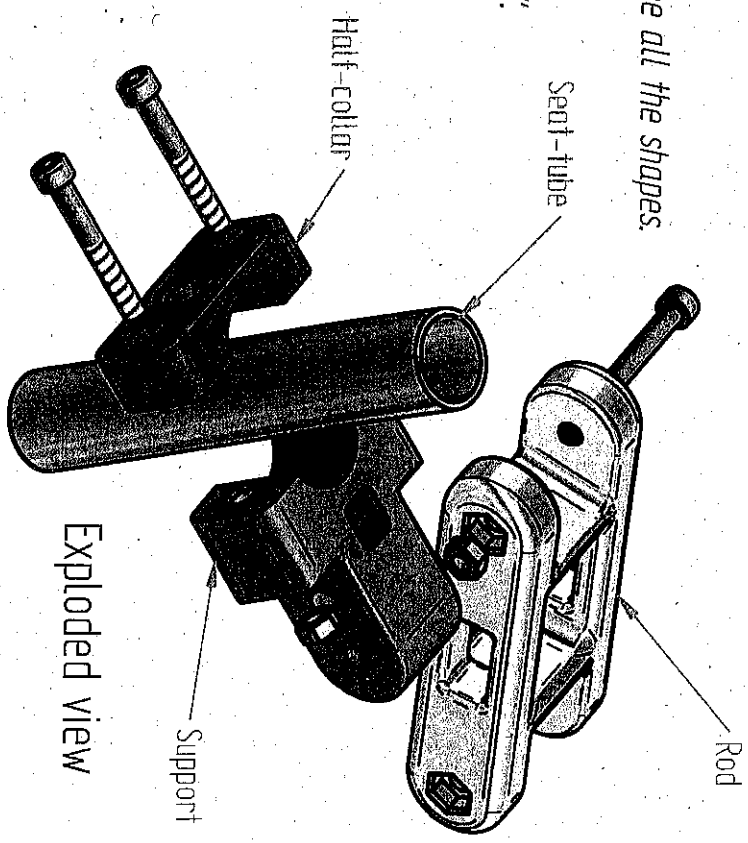
(get dimensions on assembly drawing)

2°) Create the part "Half-collar" (Definition drawing given but without the holes with counterbores for screws: obviously create the part with these holes)

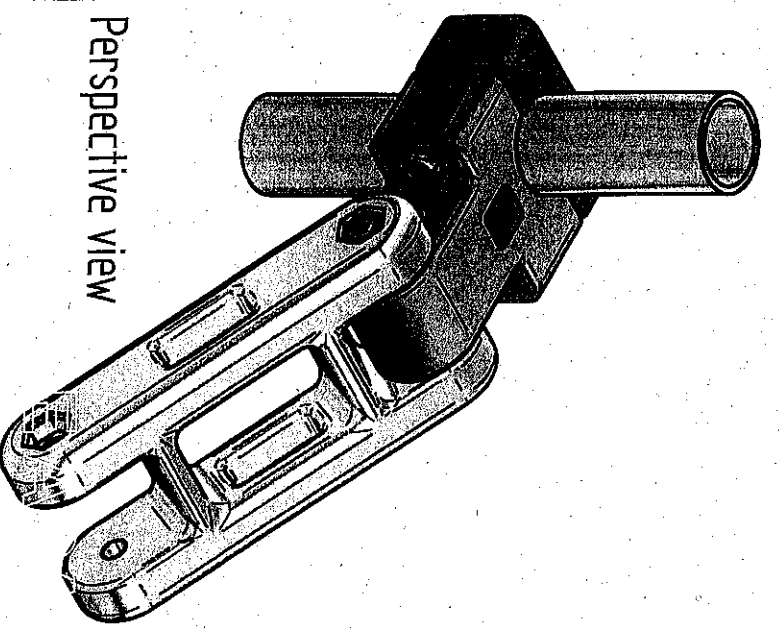
3°) Create the complete system assembly (including "Seat-tube" mounting)

4°) Create the definition drawing for the part "Rod":

- This drawing must contain at least 1 cross-section view allowing to see all the shapes.
- This drawing must contain a perspective view.
- Don't represent the hidden edges.
- Indicate functional notes relative to the joint with the part "Support".




Exploded view



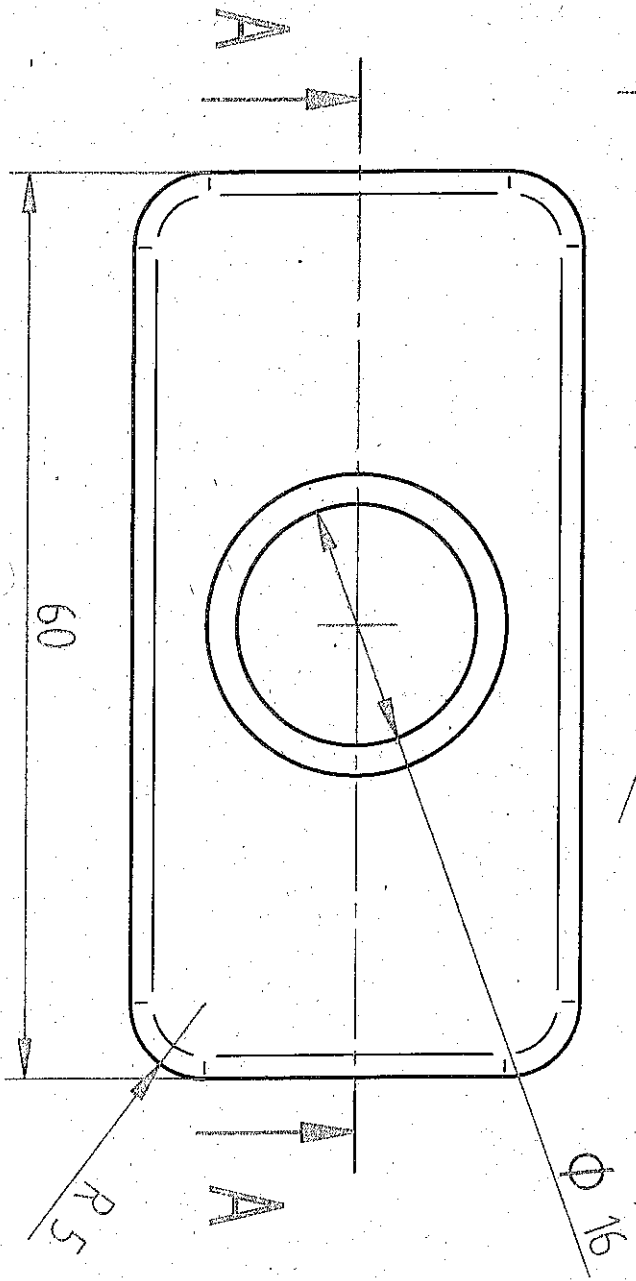
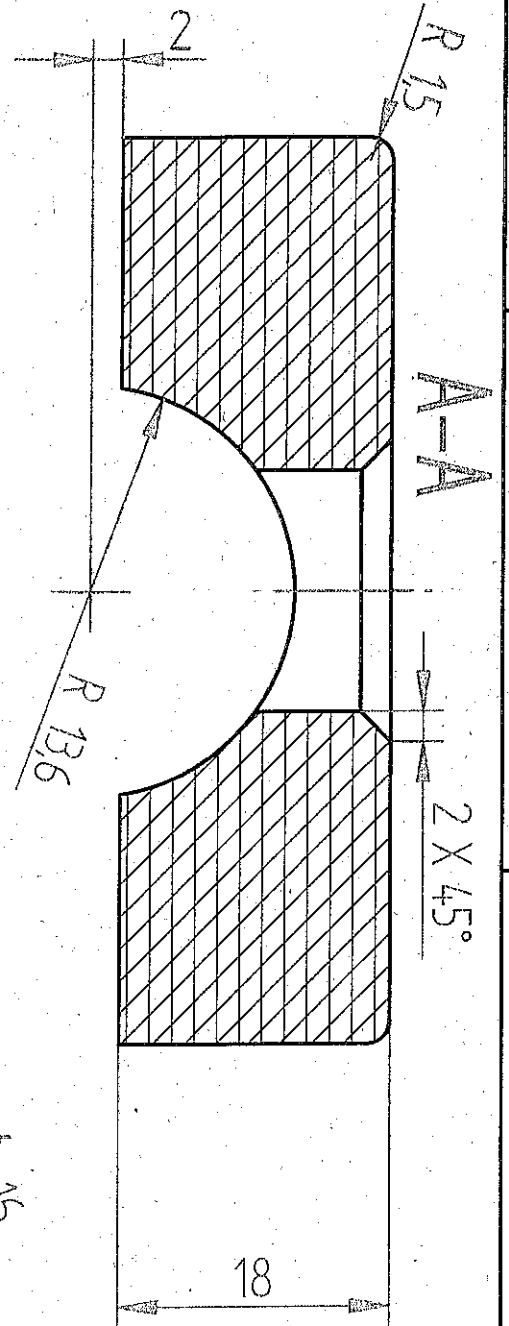
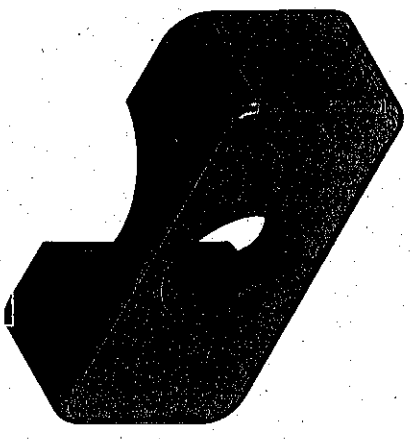
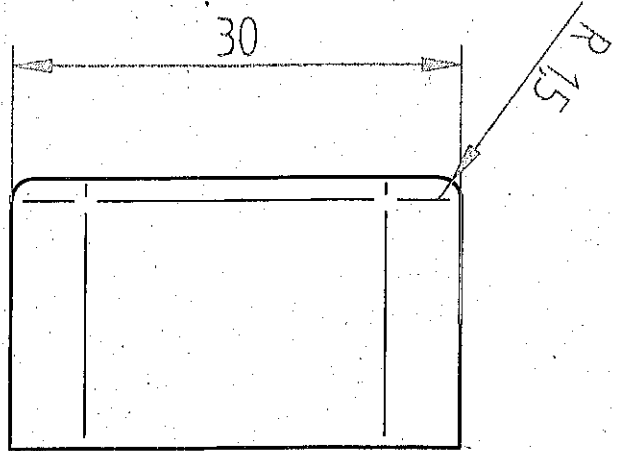
Perspective view

Sheet : 1 / 2	Date : 13/01/2025	Designed by : djacqués	Grp : ELP
Scale : 1:1			


 Format: A3V  
 LYON

3D designer : mkuhn  
 Project : GARDE BOUE ARRIERE  
 Title : Muddguard-support\_ASSEMBLY

Half-collar to be created.  
Add the holes with counterbores  
for screws.

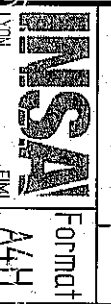


Sheet : 2 / 2  
Scale : 1:1

Date : 13/01/2025

Designed by : djacques

Grp : ECP



Project : MUDGUARD SUPPORT for Mountain-bike  
Title : Half-collar (without holes to be defined)

Mountain-bike\_Mudguard-support\_SHEET\_2025.dft