

# Mechanical design 1 test

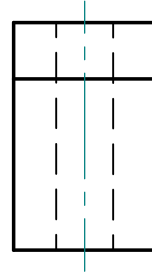
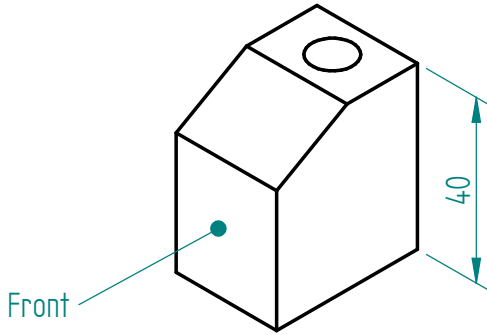
Orthogonal projection, vocabulary

Name: \_\_\_\_\_

- In all exercises use the **First angle projection only**
- If present, **all hidden edges should be represented**
- Dimensions are given but drawing dimensions may be approximate

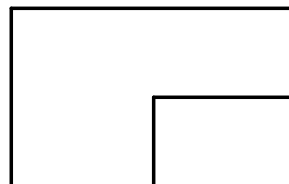
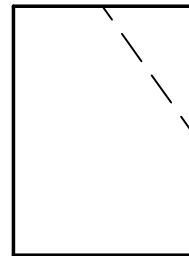
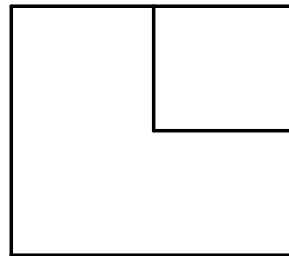
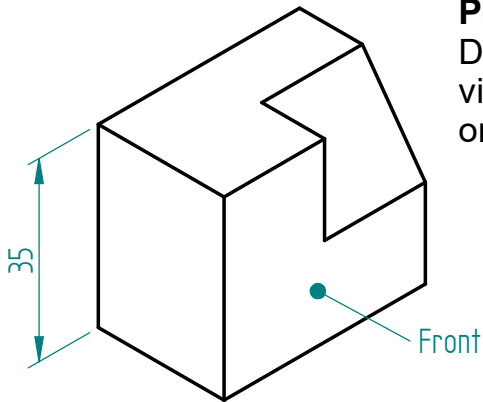
## Problem 1

Draw the front view of the part defined by the arrow sign. The hole is through.



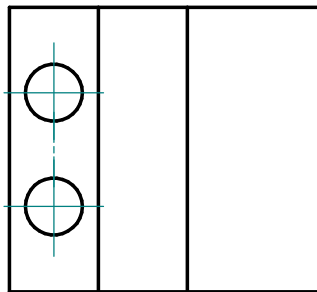
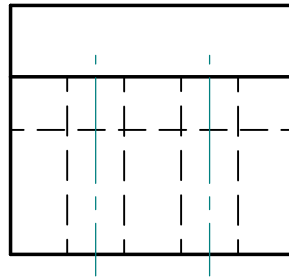
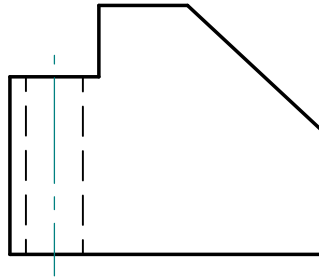
## Problem 2

Draw the **front** view (defined by arrow), **top** view and **left** view of the part 2. Views should be related by the orthogonal projection.



**Problem 3**

Complete **the missing front view** below by using the top and left view (these are complete).

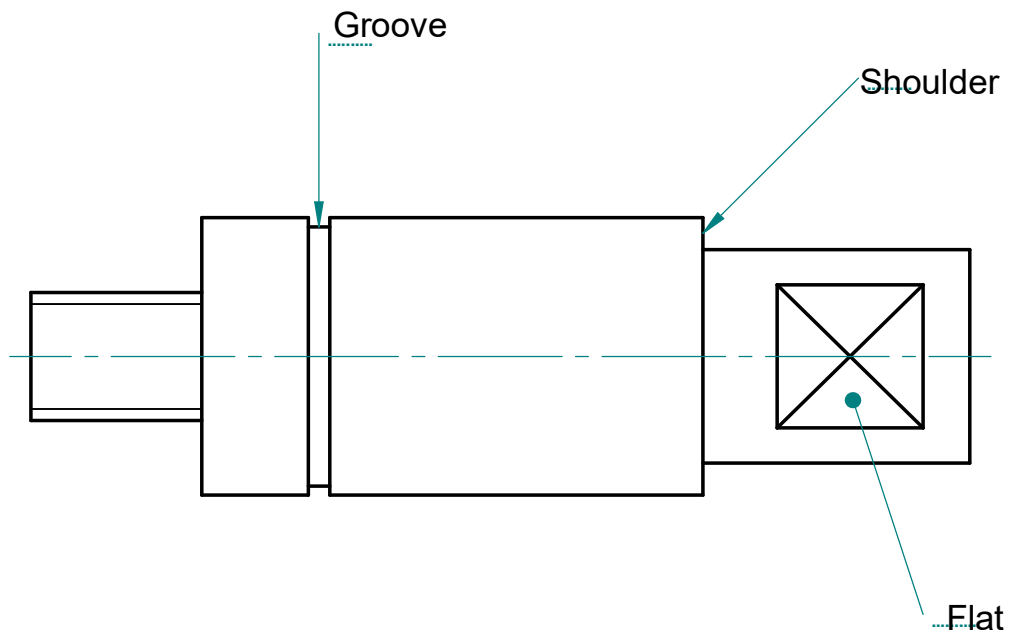
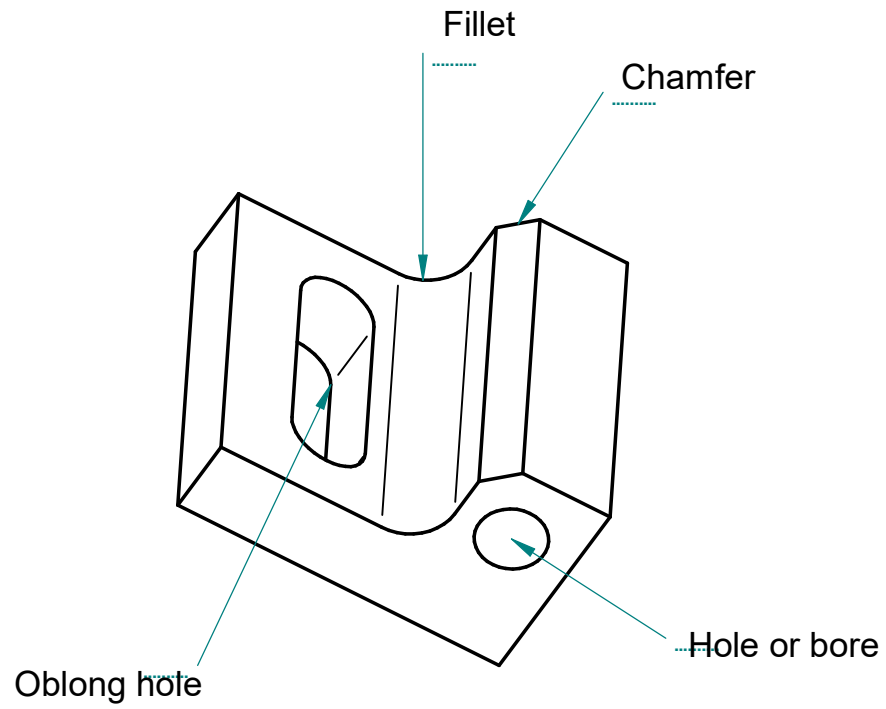


**Problem 3**

This space can be used for sketches (not evaluated)

### Problem 4

Provide names to the following technical shapes.



### Problem 5

Complete the views below with the **front view**. The right and top views should be finished as well.

