

CAD TEST - 1h
Part, assembly and drawing

TOY CAR

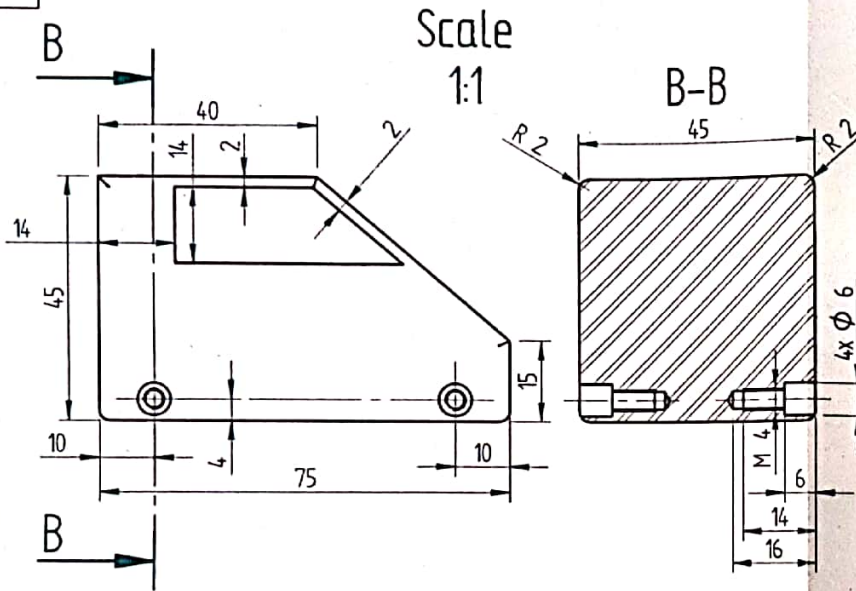
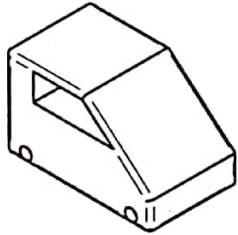
Purpose you are asked to create parts, and then create an assembly and an assembly drawing of a Toy car.
Management of files :

- Create a directory called "Toy-Car_YOUR NAME"
- Save all your files in this directory
- At the end of the session compress your directory in a ".zip" file and upload this zip-file on Moodle (for this last step, you can also use the function "Share / Pack and go" in SolidEdge).

A : CREATE PARTS

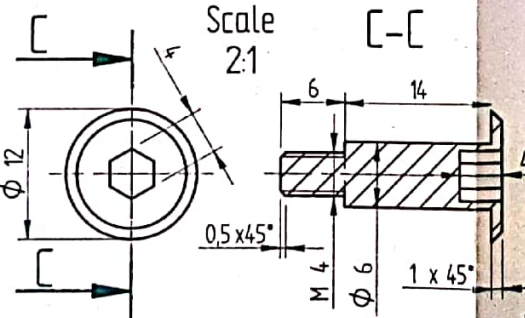
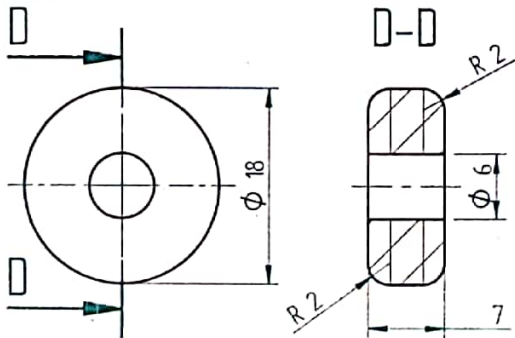
- A1: Create the body (part number 01) using the definition drawing with cotation opposite. Save it as "01-Body_YOUR NAME"

Scale 1:2



- A2: Create the axle (part number 02) using the definition drawing with cotation above. Save it as "02-Axle_YOUR NAME"

- A3: Create the wheel (part number 03) using the definition drawing with cotation above. Save it as "03-Wheel_YOUR NAME"

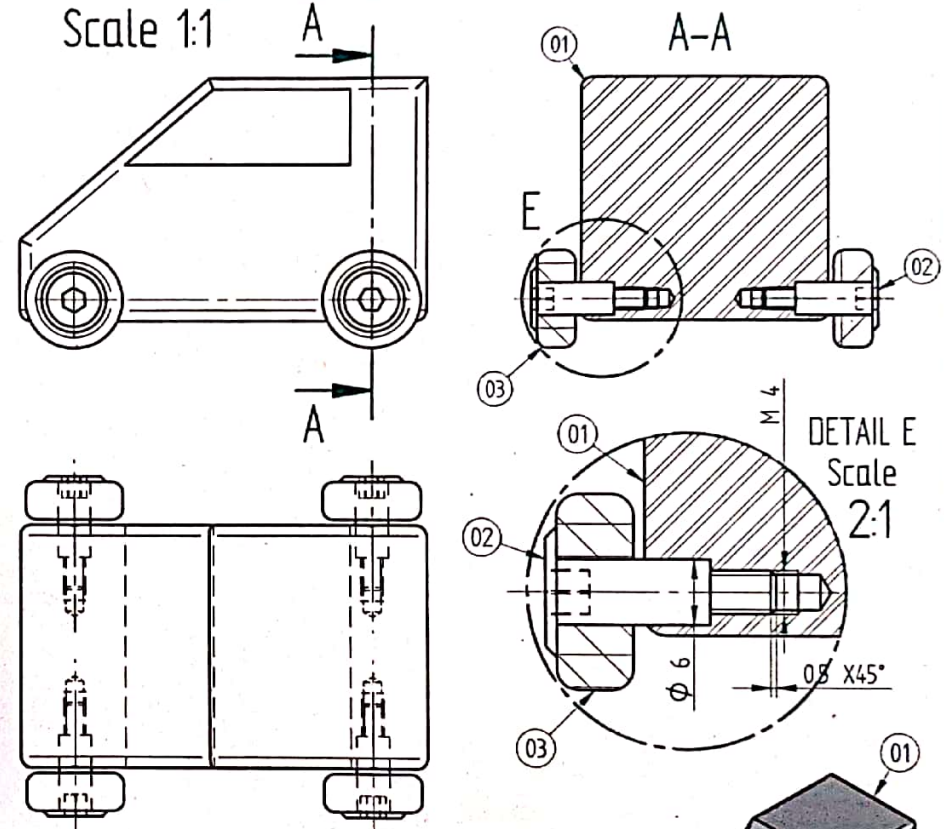


B : CREATE THE ASSEMBLY

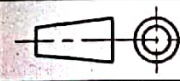
- B.1: Create the assembly of the toy car as shown on the assembly drawing above. Save it as "Toy-Car_YOUR NAME".

C : CREATE THE ASSEMBLY DRAWING

- C.1: Create the assembly drawing of the toy car with the same views as in the assembly drawing above (list of parts and bubbles not requested). Save it as "Toy-Car_Drawing_YOUR NAME".



01	1	Aluminium 2024 T4
02	4	Steel S235
03	4	ABS Plastic
Number	Quantity	Material

Feuille : 1 / 1	Date : 17/01/2023	Dessiné par : Yann Ricotti + DJ	Grp : Prof
		TOY CAR Titre (Nom de pièce) : CAD Test	
INSA LYON		Format : A3H	Echelle : 1:1
Pièce n° : 1	Qté :	Matière :	Rév. : 11