

SCAN SOLID EDGE EXAM – 50min

By the end of the elapsed time, you should have uploaded on moodle the following files:

Part_1_1.par, Part_1_2.par, Draft_2.dft, Assembly_3.asm

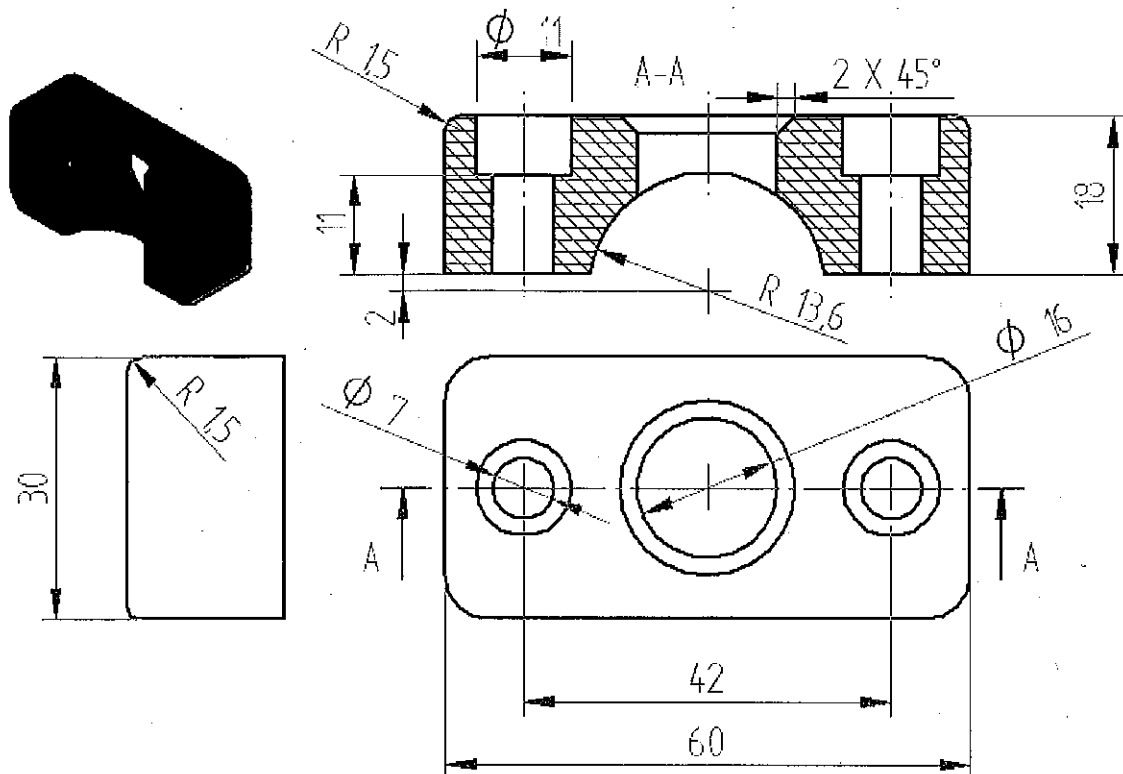
in one single ZIP file named after your last name.

Moodle folder for upload:

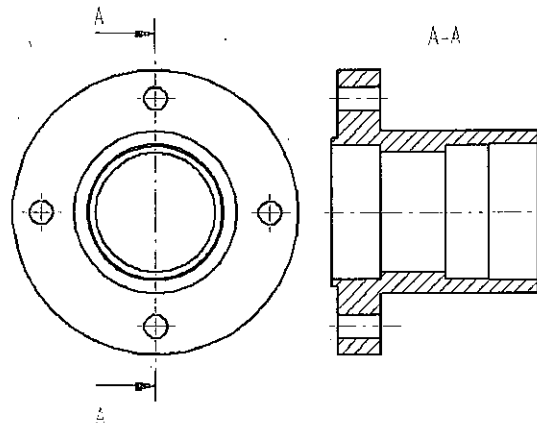
Conception – Prototypage/ FIMI_1A_Conc /S1 - Rotation B "Eléments standards" (séances 8 à 13) /Rendu Interro S1 Solid Edge - pour tout le monde

All exercises are **independent**. All sketches should be constrained when applicable.

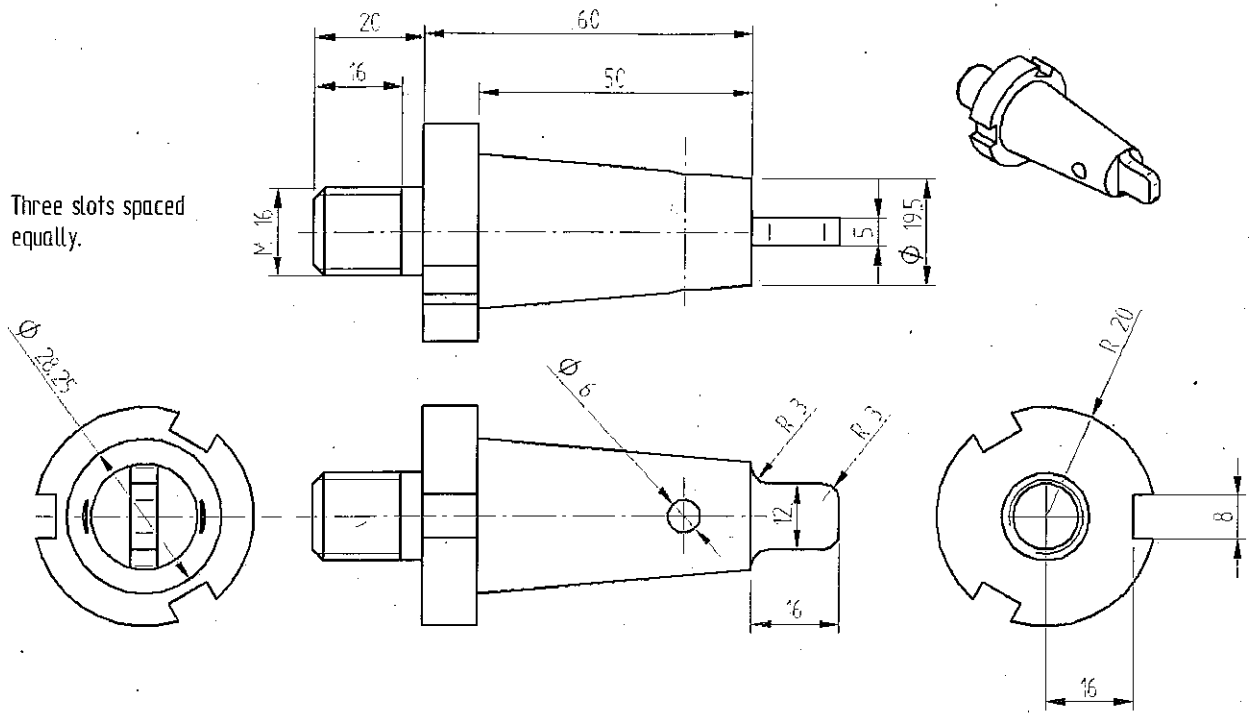
Part 1.1. Create a 3D part from the drawing below (hidden edges not represented)



Draft 2: Create a draft identical to the one on right. (you need to download and use **Part_2.par**).



Part 1.2. Create a 3D part from the dimensions given below (hidden edges are not represented):



Assembly 3: Download parts **Part_3_1**, **Part_3_2** and **Part_3_3** and assemble them according to the exploded view on right and projection views below. (Create .asm file, do not modify the original .par files).

